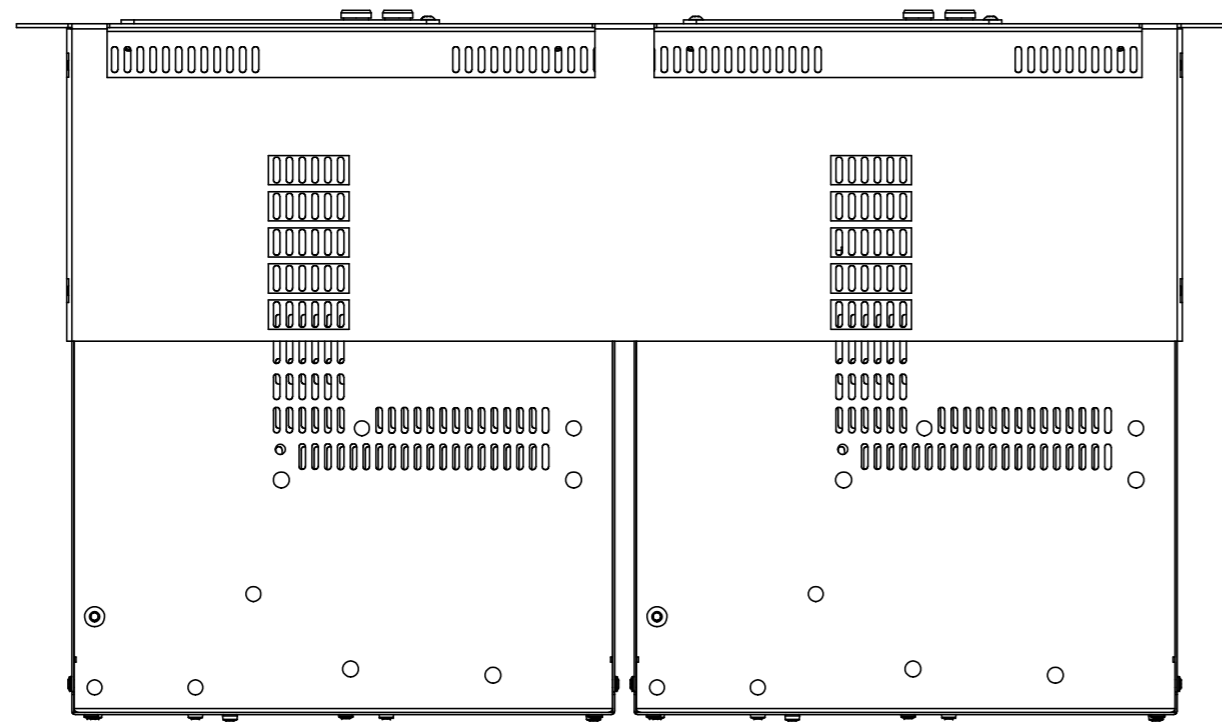


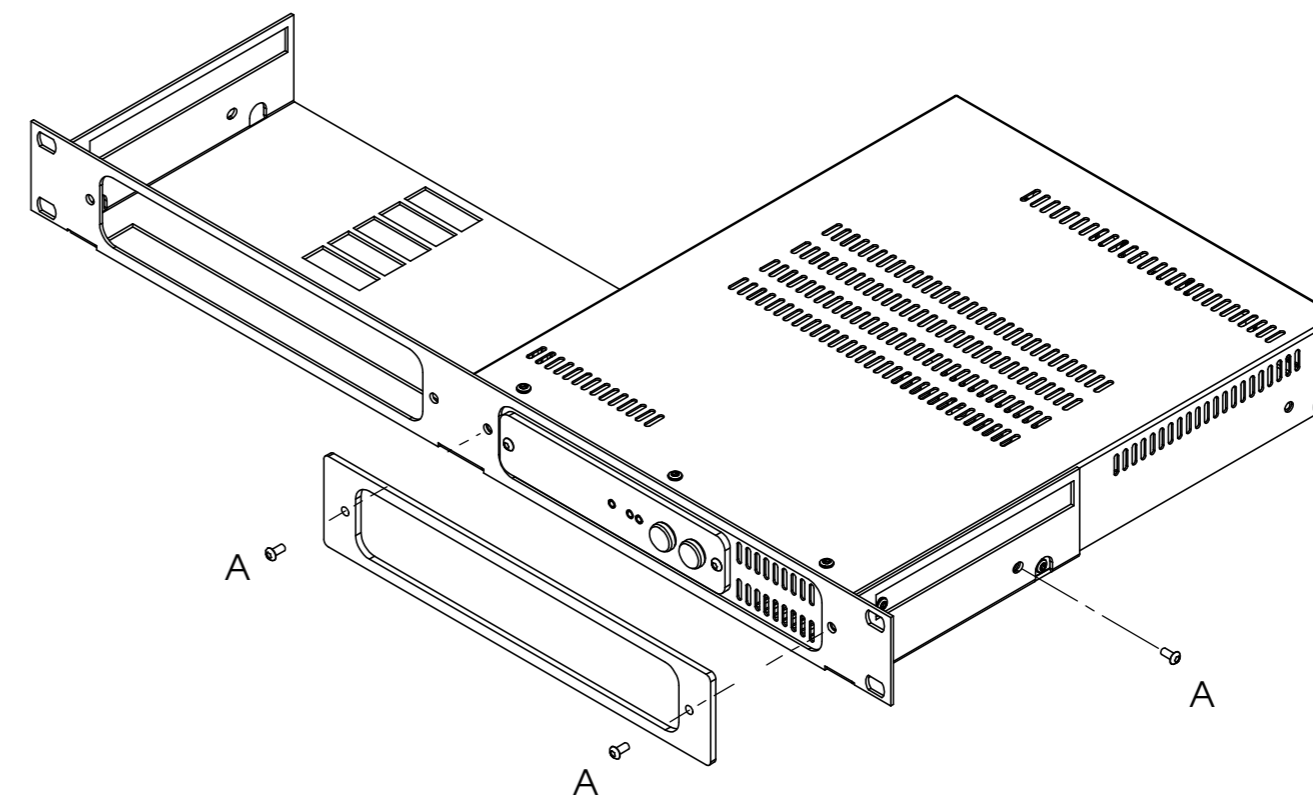
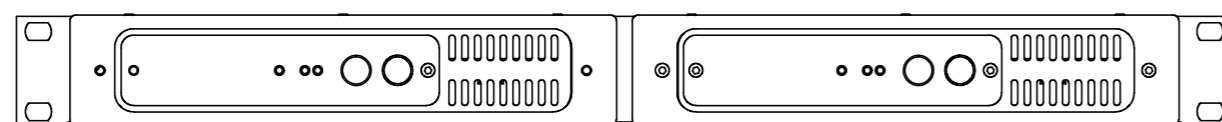
PRINT AND CUTLINE :

CUT LINE



Possible extra LUCIA

Possible extra LUCIA



A: USE M3X10mm MACHINE SCREW SUPPLIED WITH PRODUCT ACCESSORIES

Important safety instruction for - Lab.Gruppen rack shelf kit:

This is a special dedicated rack mount shelf with the ability to carry two LUCIA amplifiers. This kit includes the necessary accessories to supplement the accessory kit delivered with the LUCIA amplifier. This rack shelf kit is evaluated for use according to UL/IEC60065.

Assembly instructions:

1. Remove the two TORX screws holding the decorative outer rim of the front plate.
2. Place the amplifier on top of the rack shelf according to the drawing on this page.
3. Replace the decorative outer rim of the front plate in front of the rack part.
4. Reassemble the front, rack shelf and amplifier by use of two of the M3 x 10 mm length machine screws supplied as accessory with the LUCIA amplifier.
5. In the side of the rackshef, fix a third of the M3 x 10 mm length machine screws supplied as accessory with the LUCIA amplifier.
6. If two amplifiers should be placed on the rack shelf - please repeat assembly instructions 1 to 5 for the other amplifier.

Attention:

Do not use the rack shelf for other equipment, as this could overload the shelf and make it unsafe. It is recommended to leave a one unit high rack space empty - either above or below the LUCIA amplifier rack.

Note:

Ensure the finished installation is in accordance with local and national building codes, fire and safety codes, and local and national electrical codes. Lab.Gruppen will not be held responsible for any damages caused by the improper installation of the Lucia amplifier.

Alternative rack shelf mounting:

The amplifier can be fixed to a rack shelf or similar by means of the three holes in the bottom. Use a 4 mm dia x 20 mm length max machine screw (not supplied). Please ensure the use of screw lengths suitable for the thickness of the shelf. The screws used should not penetrate into the amplifier for more then 10-20mm after mounting.

E60540511