

# Control Panels Quick Start Guide

- ▶ 990692004 (Wall Panel Level Control EU)
- ▶ 990692005 (Level Control with white knob DIY)
- ▶ 990692006 (Source Selector with white knob DIY)
- ▶ 990692007 (Level Control with white knob DIY conn. straight)
- ▶ 990692008 (Source Selector with white knob DIY conn. straight)

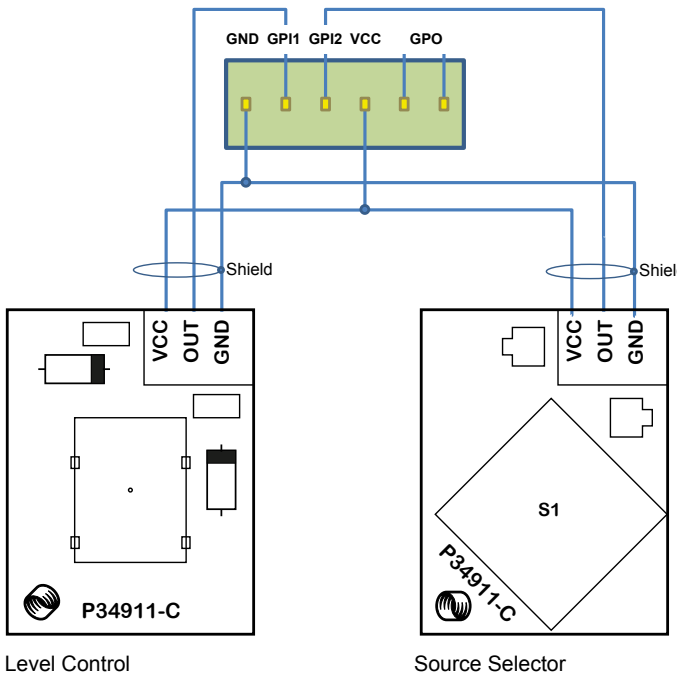


**LAB.GRUPPEN**



<http://support.labgruppen.com>

## How to Configure Connection and Wiring:



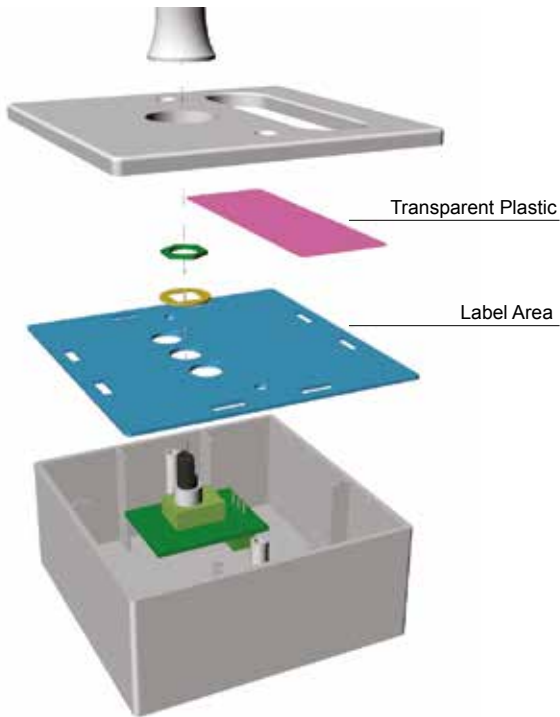
How to configure control panel for Output Level:

Function	<input type="text" value="Output Level"/>
Output	<input type="text" value="SPK1 and SPK2 and OUT3 and OUT4"/>

How to configure control panel for Source Selector:

Function	<input type="text" value="Source Selector"/>
Output	<input type="text" value="SPK1 and SPK2 and OUT3 and OUT4"/>
Selector	<input type="text" value="4 Position Resistor Ladder"/>
Position Voltage	<input type="text" value="2.8V"/> 1 <input type="text" value="2.0V"/> 2 <input type="text" value="1.4V"/> 3 <input type="text" value="0.6V"/> 4
Pos1	<input type="text" value="Default"/>
Pos2	<input type="text" value="Default"/>
Pos3	<input type="text" value="Default"/>
Pos4	<input type="text" value="Default"/>

## Exploded view of Wall Panel EU model:



- ▶ To prevent knob removal, knobs should be glued on shaft
- ▶ Back box is not included